

BAG2-120



Bipod supports

Technopolymer

MATERIAL

Glass-fibre reinforced polyamide based (PA) technopolymer, black colour, matte finish.

STANDARD EXECUTIONS

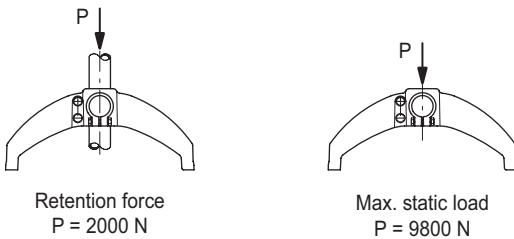
- **BAG2-120-A**: zinc-plated steel M10 screws, nuts and washers.
- **BAG2-120-SST**: AISI 304 stainless steel M10 screws, nuts and washers.

ASSEMBLY ON LEVELLING ELEMENTS

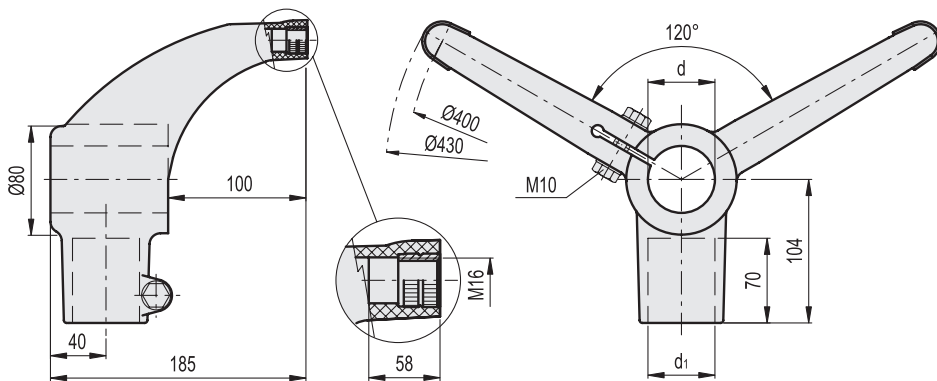
The bipod support bases are supplied with brass bosses, threaded pass-through hole for the assembly of the stem of the levelling element series L.S.A, L.V.A, L.V.F.

FEATURES

The absence of cavities and the slightly round shapes offer modern and elegant aesthetics and guarantee the easy cleaning. Maximum tightening torque for screw assembly 35 Nm.



Values obtained with tightening torque 35 Nm



BAG2-120-A

Code	Description	d Tube (mm)	d Tube (GAS)	d ₁ Tube (mm)	d ₁ Tube (GAS)	⚖
419620	BAG2-120-42-42-A	42.4	1"1/4	42.4	1"1/4	740
419618	BAG2-120-48-42-A	48.3	1"1/2	42.4	1"1/4	730
419616	BAG2-120-48-48-A	48.3	1"1/2	48.3	1"1/2	720
419614	BAG2-120-60-42-A	60.3	2"	42.4	1"1/4	710
419612	BAG2-120-60-48-A	60.3	2"	48.3	1"1/2	700

BAG2-120-SST

STAINLESS STEEL

Code	Description
419621	BAG2-120-42-42-SST
419619	BAG2-120-48-42-SST
419617	BAG2-120-48-48-SST
419615	BAG2-120-60-42-SST
419613	BAG2-120-60-48-SST